



Installation instructions, accessories

Volvo Car Corporation Gothenburg, Sweden

Instruction No	Version	Part. No.
31373743	1.1	31373742

Protective tape, rear bumper



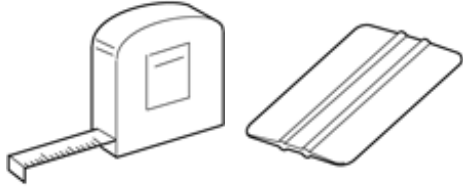
Installation instructions, accessories

Volvo Car Corporation Gothenburg, Sweden

Materials

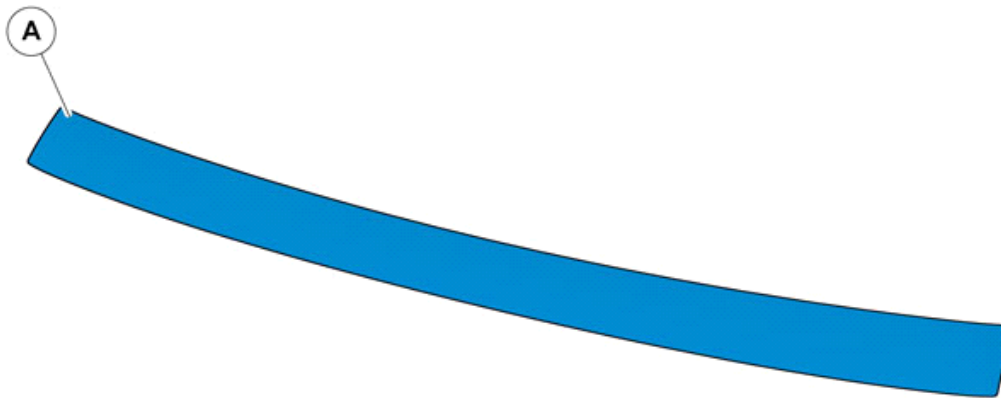
Designation	Part number
Isopropanol	1161721

Equipment



IMG-244945

IMG-221380



IMG-374018



Installation instructions, accessories

Volvo Car Corporation Gothenburg, Sweden

Information

1

Read through all of the instructions before starting installation.

Notifications and warning texts are for your safety and to minimise the risk of something breaking during installation.

Ensure that all tools stated in the instructions are available before starting installation.

Certain steps in the instructions are only presented in the form of images. Explanatory text is also given for more complicated steps.

In the event of any problems with the instructions or the accessory, contact your local Volvo dealer.

Conditions

2

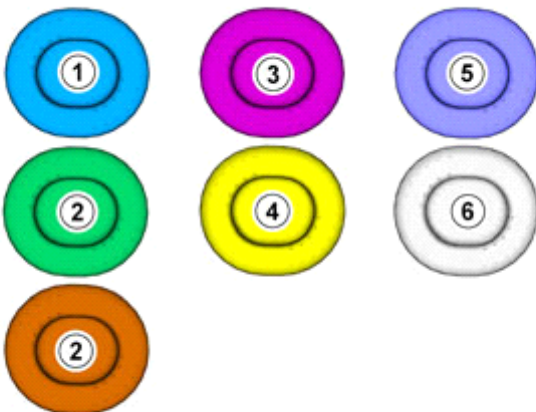
When installing, the car must retain a temperature of 20 degrees C.

After installation, the car must not be washed for 48 hours

After installation, the car must not be driven for 2 hours

Color symbols

3



IMG-363036

Note!

This colour chart displays (in colour print and electronic version) the importance of the different colours used in the images of the method steps.

1. Used for focused component, the component with which you will do something.
2. Used as extra colors when you need to show or differentiate additional parts.
3. Used for attachments that are to be removed/installed. May be screws, clips, connectors, etc.
4. Used when the component is not fully removed from the vehicle but only hung to the side.
5. Used for standard tools and special tools.
6. Used as background color for vehicle components.

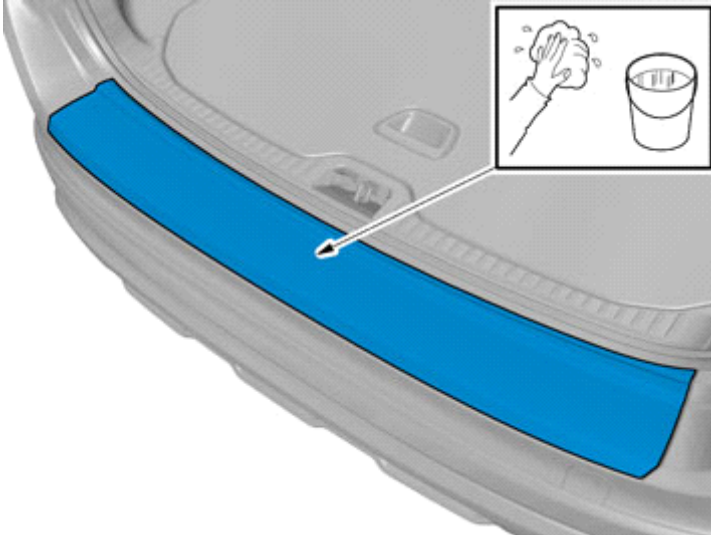


Installation instructions, accessories

Volvo Car Corporation Gothenburg, Sweden

Accessory installation

4

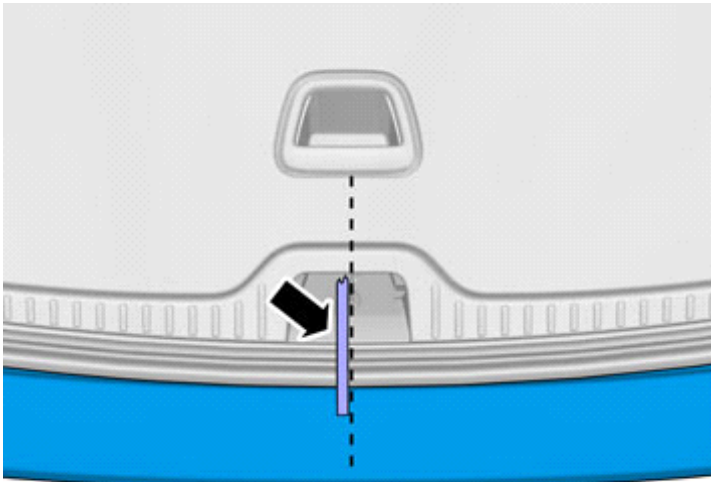


Clean the Bumper Cover surface.

Allow to dry.

IMG-374184

5



Use suitable tape to indicate the center.

IMG-374185

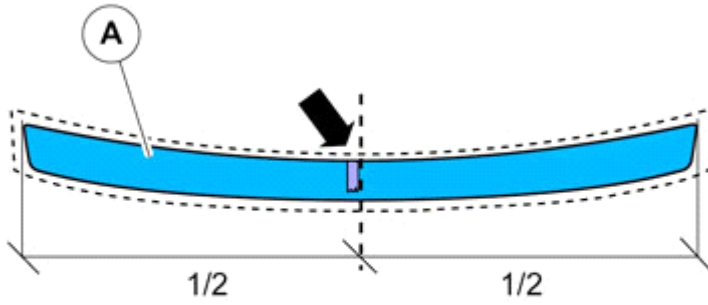


Installation instructions, accessories

Volvo Car Corporation Gothenburg, Sweden

6

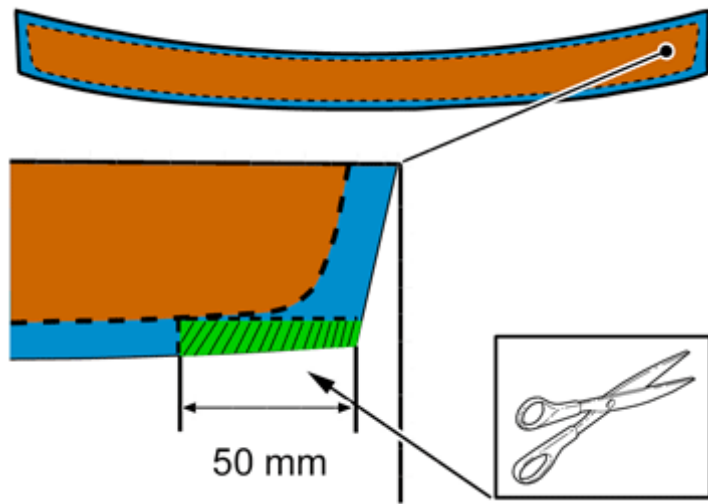
Use suitable tape to indicate the center.



IMG-374121

7

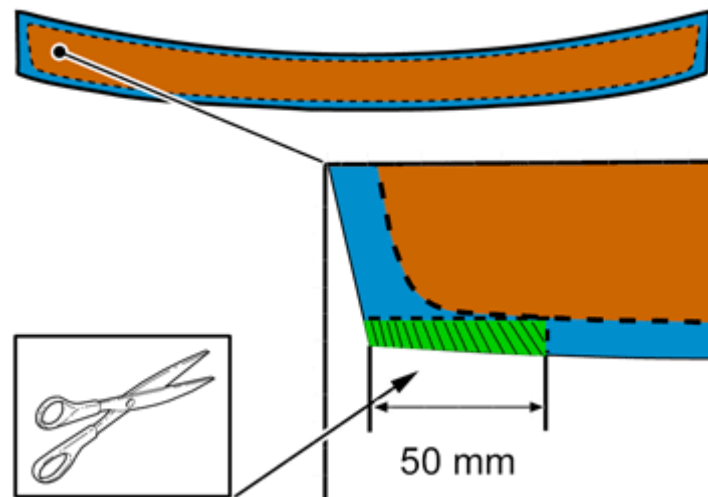
Cut off a piece of the transparent foil, as indicated.



IMG-345624

8

Cut off a piece of the transparent foil, as indicated.

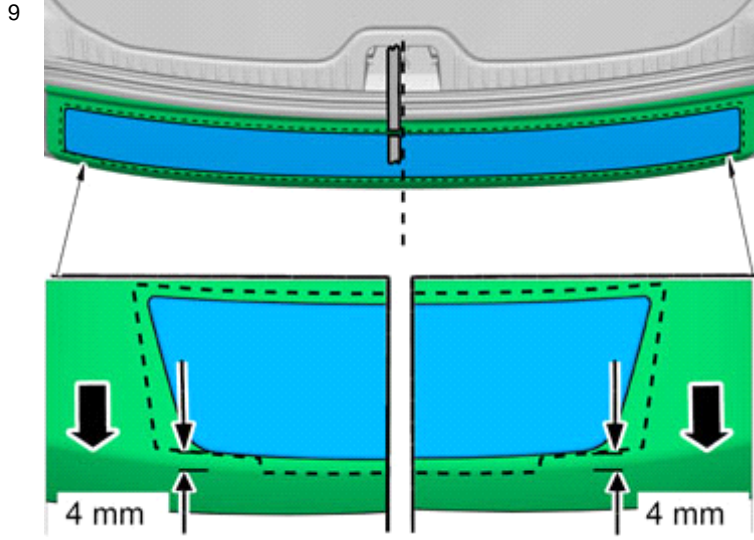


IMG-345997

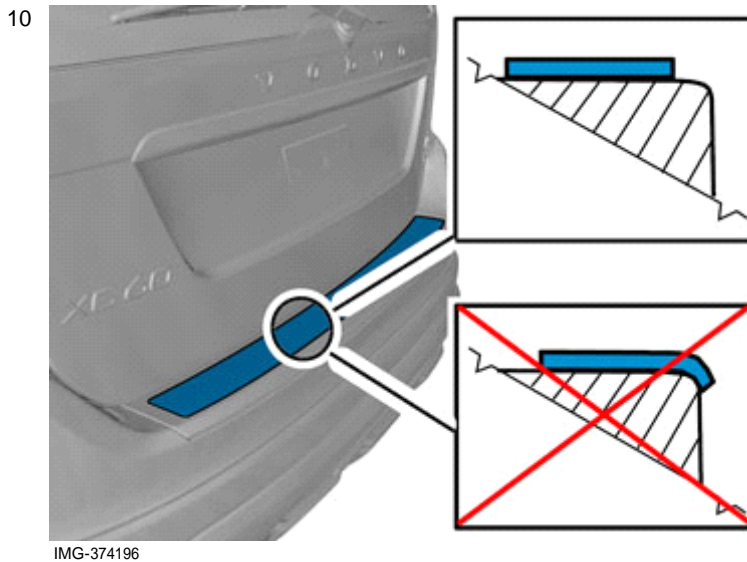


Installation instructions, accessories

Volvo Car Corporation Gothenburg, Sweden

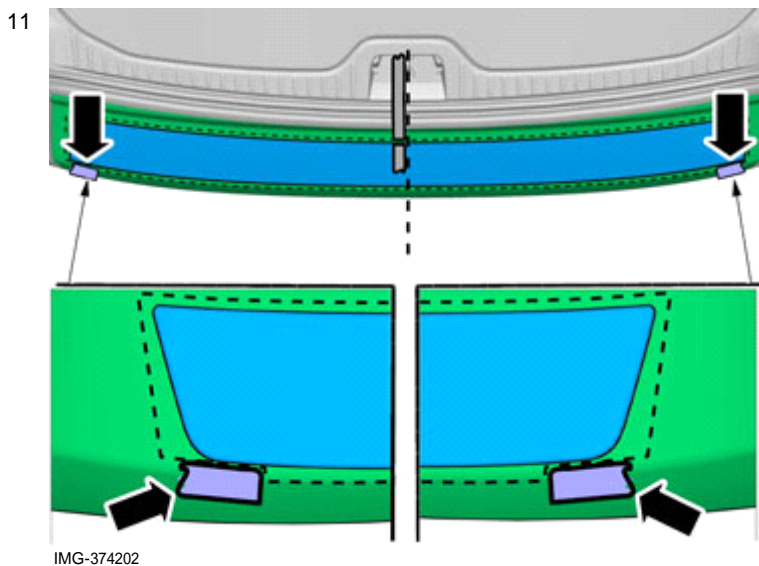


Center the Bumper Cover, using the tape marks and the values in the graphic.



Note!

Make sure that the Bumper Protection is installed on the flat bumper surface only, not covering any sharp radius.



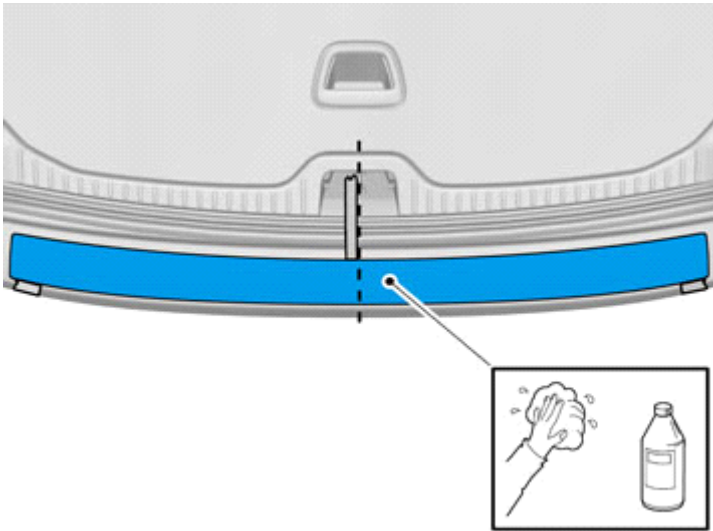
Use appropriate tape to mark the position.



Installation instructions, accessories

Volvo Car Corporation Gothenburg, Sweden

12



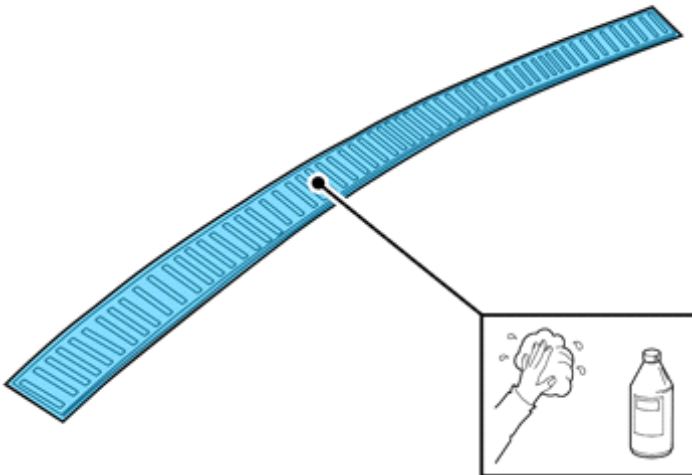
IMG-374199

Clean the Bumper Cover surface.

Allow to dry.

Use: 1161721, Isopropanol

13



IMG-378893

Clean the lower transparent foil.

Allow to dry.

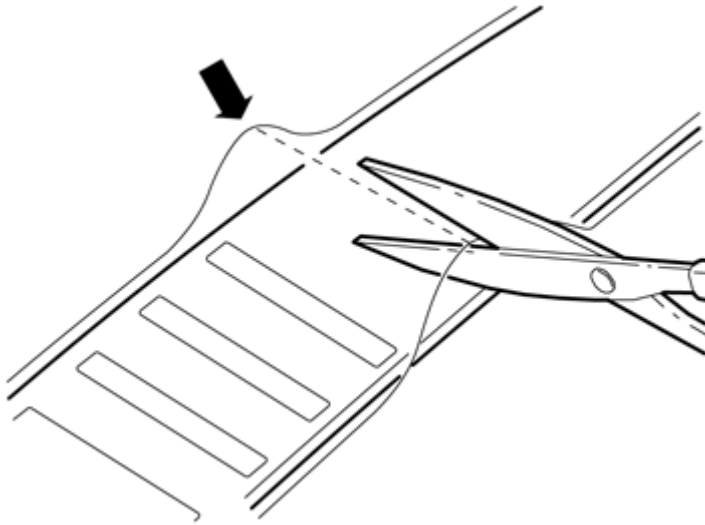
Use: 1161721, Isopropanol



Installation instructions, accessories

Volvo Car Corporation Gothenburg, Sweden

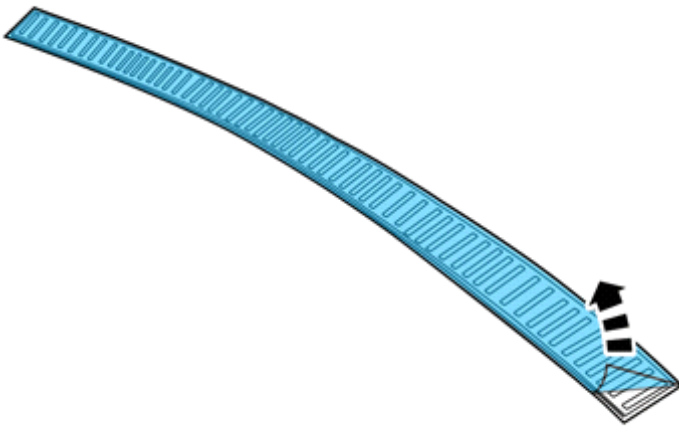
14



IMG-345623

Cut in the lower transparent foil in the middle.

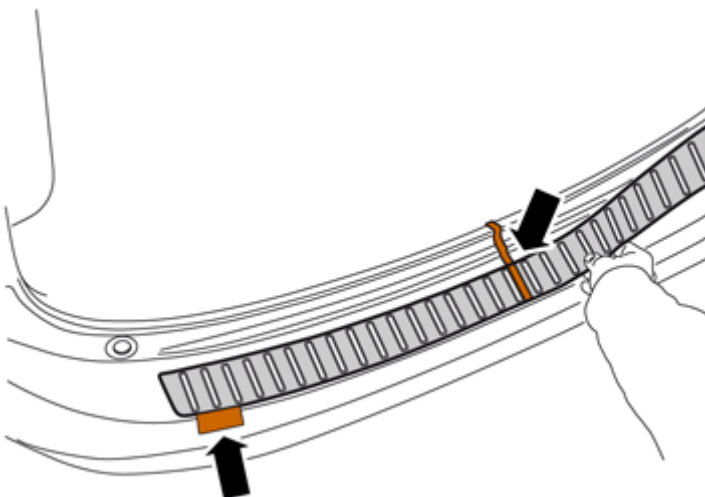
15



IMG-378604

Pull off the top protection foil, if applicable.

16



IMG-345942

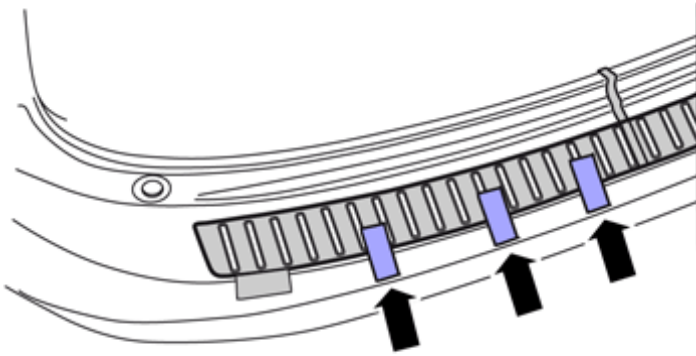
Adjust the position of the Bumper Protection using the tape marks.



Installation instructions, accessories

Volvo Car Corporation Gothenburg, Sweden

17

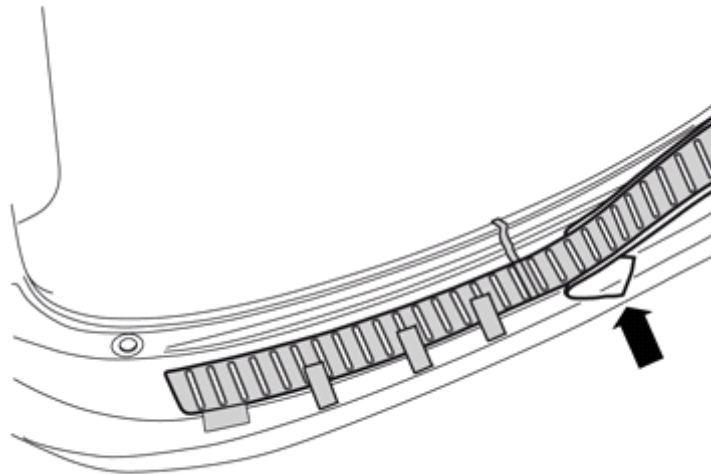


IMG-347431

Note!

Use tape to temporarily fix the bumper cover in the correct position.

18



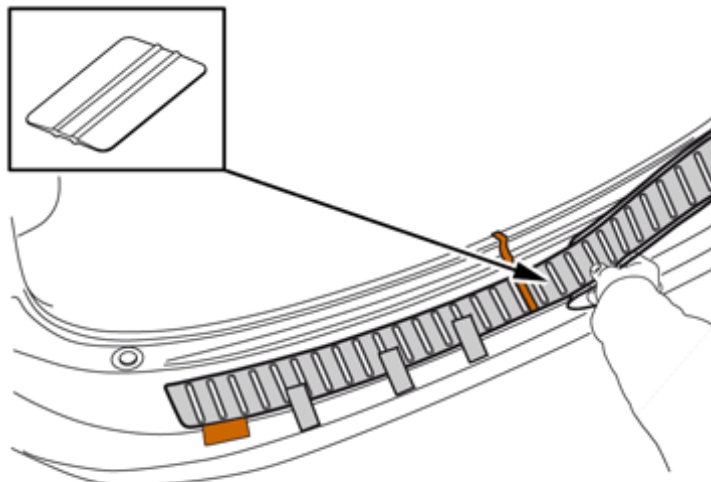
IMG-347451

Note!

Touching the adhesive surface will impair rebonding.

Partly fold back the transparent foil to expose the sticky surface.

19



Use suitable tool to squeeze out any trapped air bubbles.

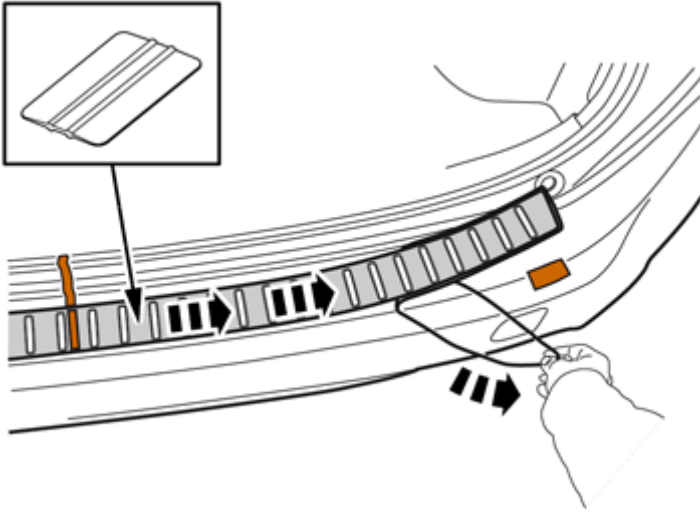
IMG-378667



Installation instructions, accessories

Volvo Car Corporation Gothenburg, Sweden

20

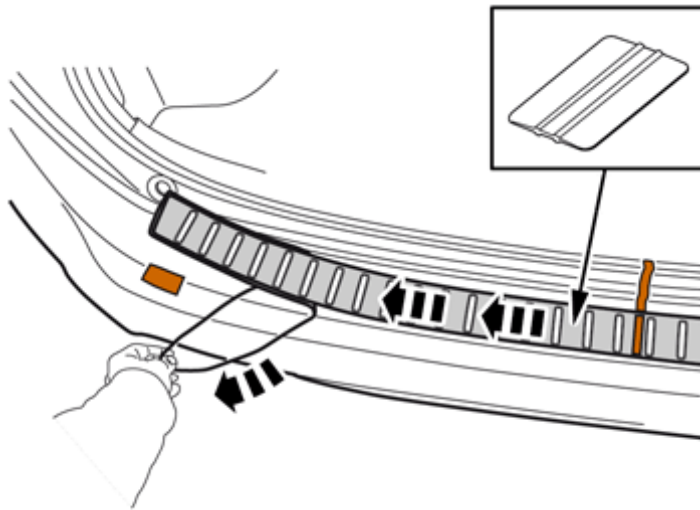


IMG-378668

Pull off the rest of the transparent foil and press by hand on the Bumper protection to make it cling to the Bumper Cover.

Use suitable tool to squeeze out any trapped air bubbles.

21



IMG-378669

Pull off the rest of the transparent foil and press by hand on the Bumper protection to make it cling to the Bumper Cover.

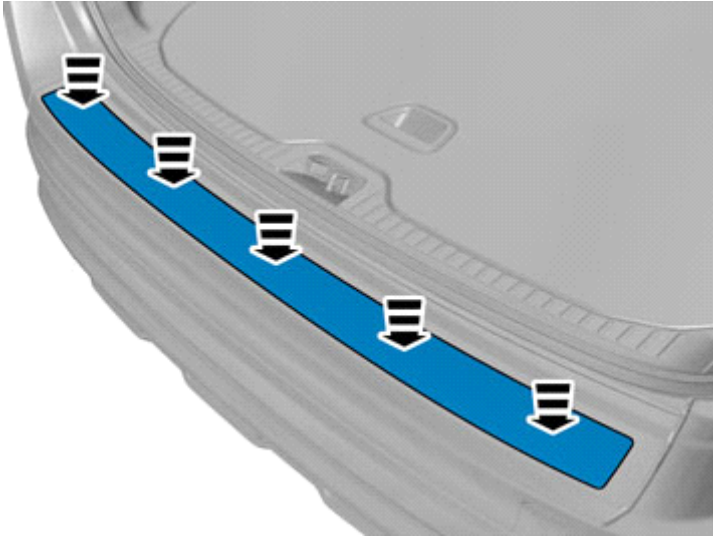
Use suitable tool to squeeze out any trapped air bubbles.



Installation instructions, accessories

Volvo Car Corporation Gothenburg, Sweden

22



IMG-374200

Thoroughly press, by hand, all over the Bumper Protection to make it cling properly.

Use suitable tool to squeeze out any trapped air bubbles.